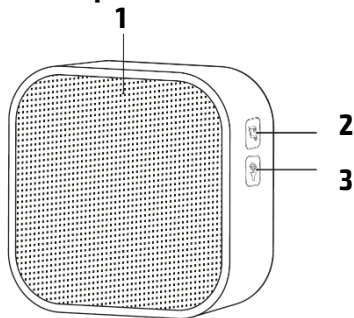


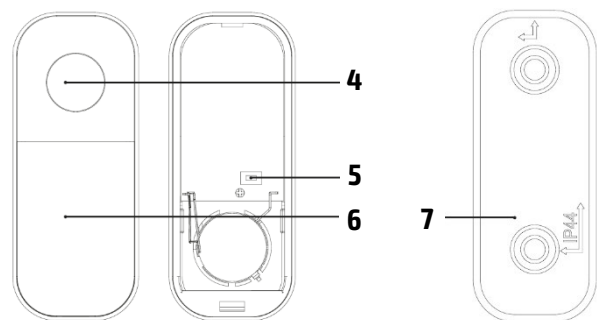
The set consists of a bell button (transmitter) and a bell (receiver). The bell is designed to be battery powered. The transmission between the button and the bell is via radio waves with a frequency of 433,92 MHz. The range depends on local conditions and can reach up to 180 m in open areas without interference. The set has the so-called pairing function (Learning code) - The button is able to generate its own pairing code, which is received by the doorbell and stored in its memory. The set can thus be expanded with additional transmitters or receivers. The pairing function also prevents the set from affecting neighbouring doorbells. For proper use, read the instruction manual.

Description of the doorbell



- 1. **LED indicator**
- 2. **Melody selection / Pairing**
- 3. **Change the volume**

Button description



- 4. **Ring button**
- 5. **Delete button**
- 6. **Place for name badge**
- 7. **Base**

Specifications

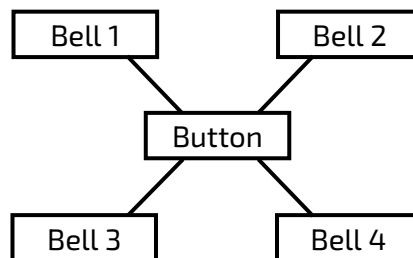
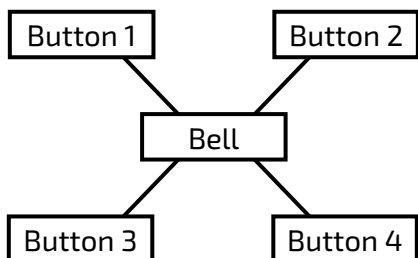
Transmitter range	180m in open space
Transmission frequency	433.92 MHz
Ring volume	4 stages: 0 - 90dB (90 - 65 - 40 - 0dB flashing only)
Number of melodies	36 selectable melodies
Doorbell power supply	2 x AA (LR06) batteries (not included)
Doorbell consumption in idle state	<0,4W
Button power supply	1 x 3V (CR2032)
Waterproof button protection	IP44
Operating temperature of the doorbell	0 °C to +35 °C
Operating temperature of the button	-10 °C to +50 °C

- Solight 1L74T can be used as a replacement button.

Pairing the button with the bell

1. Connect 2x AA batteries to the doorbell.
2. Wait for the melody "Ding Dong", when it sounds the device enters pairing mode.
3. You now have 120 seconds to press the button on the transmitter to complete the pairing. When pairing is successful, the "Ding Dong" melody will be heard. If it does not sound, repeat the pairing process.

To pair multiple buttons, repeat steps 1, 2, 3 again for each button. A maximum of 8 buttons can be paired to one doorbell. One button can be paired with up to 15 bells.



Note: The doorbell has an internal memory where it stores the codes of the currently paired transmitters in case of power failure. Therefore, there is no need to pair the transmitter again after an outage. After a power failure, the selected melody will be retained, but the volume must be set again. The receiver is intended for indoor use only.

To delete paired buttons from memory

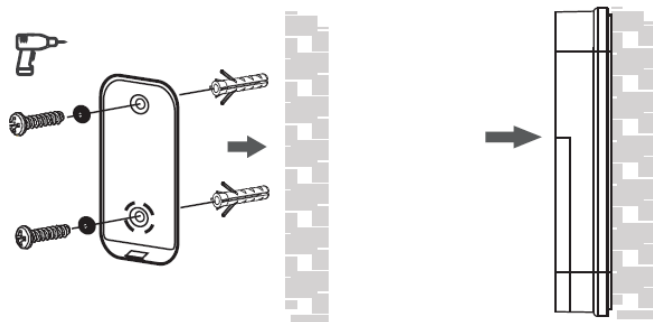
1. Press and hold the melody selection button 2 (approx. 20 seconds) until you hear the "Ding Dong" sound.
2. This clears the pairing.
3. If the above procedure does not work, open the transmitter and press button 5.

To select a ringtone and volume

1. Press button 2 on the doorbell to select the ringtone.
2. Press the 3 button to select the desired volume.

Button location

1. Start by pairing the button with the doorbell.
2. Before installation, test the range and reliability of the device in the chosen location. The button is weatherproof. Even so, preferably choose a location where the button is protected, e.g. in a recess in the wall.
3. Attach the installation pad to the surface using double-sided tape or screw it in. (If screwed in, use dowels.)
4. Place the button on the attached rear part.



Note: Do not place the button directly on metal objects or materials containing metal, such as steel posts or metal-framed doors. In such cases, the device may not operate properly.

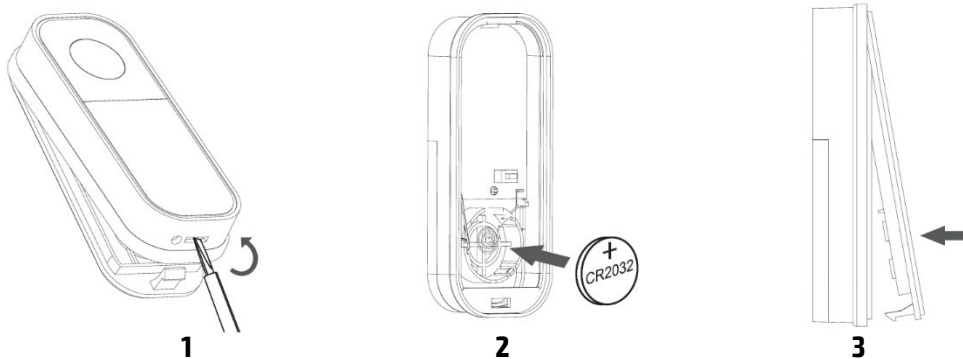
Troubleshooting:

If the receiver does not ring repeatedly after pressing the button on the transmitter, check:

- the distance between the transmitter and receiver is not too great
- whether there are strong sources of signal interference between the transmitter and receiver (radio and wireless networks, large metal objects, reinforced concrete walls, etc.)

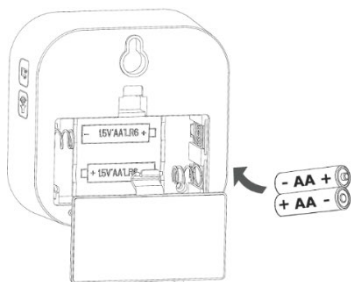
Replacing the transmitter battery

1. Open the transmitter cover with a flathead screwdriver.
2. Insert the CR2032 battery carefully (location shown on the plate inside the device).
3. Reattach the cover.



Replacing the receiver battery

1. Open the back cover of the receiver.
2. Insert 2x AA batteries.
3. Close the back cover.



If you have any problems, please contact your dealer. The product is covered by a CE Declaration of Conformity in accordance with the applicable regulations.

On the website or on request from the manufacturer: info@solight.cz

Solight Holding s.r.o., declares that the product complies with the requirements and provisions of Directive 2014/53/EU. The equipment can be operated freely in the EU. The Declaration of Conformity is available at www.solight.cz. The product can be operated under general authorisation No.VO-R/10/05.2014-3

