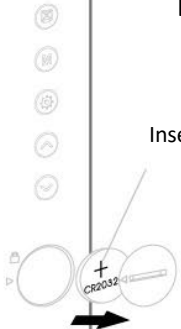


Dear Valued Customer, allow us to thank you for purchasing our product. Please read the following instructions carefully and follow them to ensure that your product serves you safely and to your full satisfaction. By doing so you will avoid improper use or damage to the product. Avoid incompetent manipulation with the device and always follow general principles of using electric appliances. Carefully keep the present operating manual. Intended for household or indoor use. Never expose to environments with high humidity (such as bathroom), avoid contact with fluids.

Insert battery

Insert battery CR2032



Display brightness



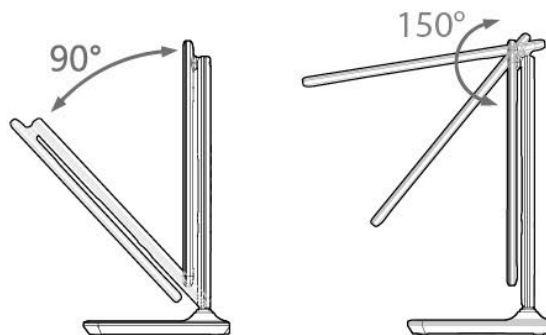
- When you connect the power adapter, the display will be set to maximum brightness
- If you wish to change the brightness, use the button indicated by arrow symbol
- Brightness can be set to five levels

Attach power adapter



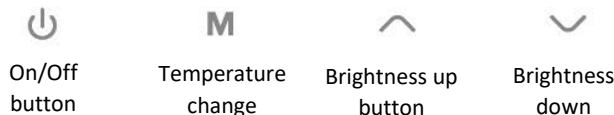
- Connect adapter to power input connector on the lamp and then to power socket.
- Only use the power adapter supplied with the lamp.

Light angle adjustment



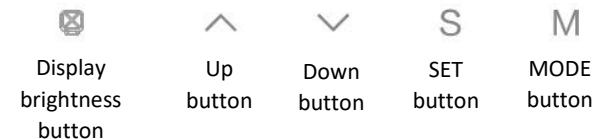
Controls

The light is controlled using touch buttons on the lamp base.



Adjust clock and alarm

The alarm clock is operated by the buttons on the rear lamp side.



Clock setting

1. Push **SET** in standard mode. The parameter will start to flash and you can change it by **UP** and **DOWN** arrows.
2. After setting the required values, store them by pushing **SET** button and automatically proceed to the following parameters.
3. Adjustment sequence: HRS-MIN-YR-MONTH-DAY-END.

Alarm clock setting

1. Push **MODE** button to switch to alarm clock mode.
2. Use **SET** button to set the alarm time. Use the same procedure as for clock setting.
3. The adjustment sequence is: HRS-MIN-SNOOZE-MUSIC-END.
4. In alarm clock mode, use **UP** and **DOWN** buttons to activate alarm clock (note symbol) and SNOOZE function (symbol Zz).

Alarm and SNOOZE functions

If the alarm clock is activated, the selected melody will sound at the pre-set time. The alarm can be deactivated by pushing any button on the rear side of the lamp. If you don't push any button, the alarm will continue to sound for one minute and then the alarm will be postponed to a pre-set time, when the alarm will start playing the selected melody again.

Other functions

In standard mode, use **UP** button to switch time format 12H/24H. Push **DOWN** button to switch temperature units °C/°F.

Note: The values displayed by the display of the lamp are indicative and may show deviations compared to dedicated and calibrated instruments (thermometers, clocks, etc.). These deviations, if any, are within $\pm 1.8^{\circ}\text{C}$ for a thermometer and approximately ± 5 min/month for a clock. Deviations within these values are not grounds for complaint.

The light source of this luminaire is not replaceable; when the light source reaches its end of life the whole luminaire shall be replaced.